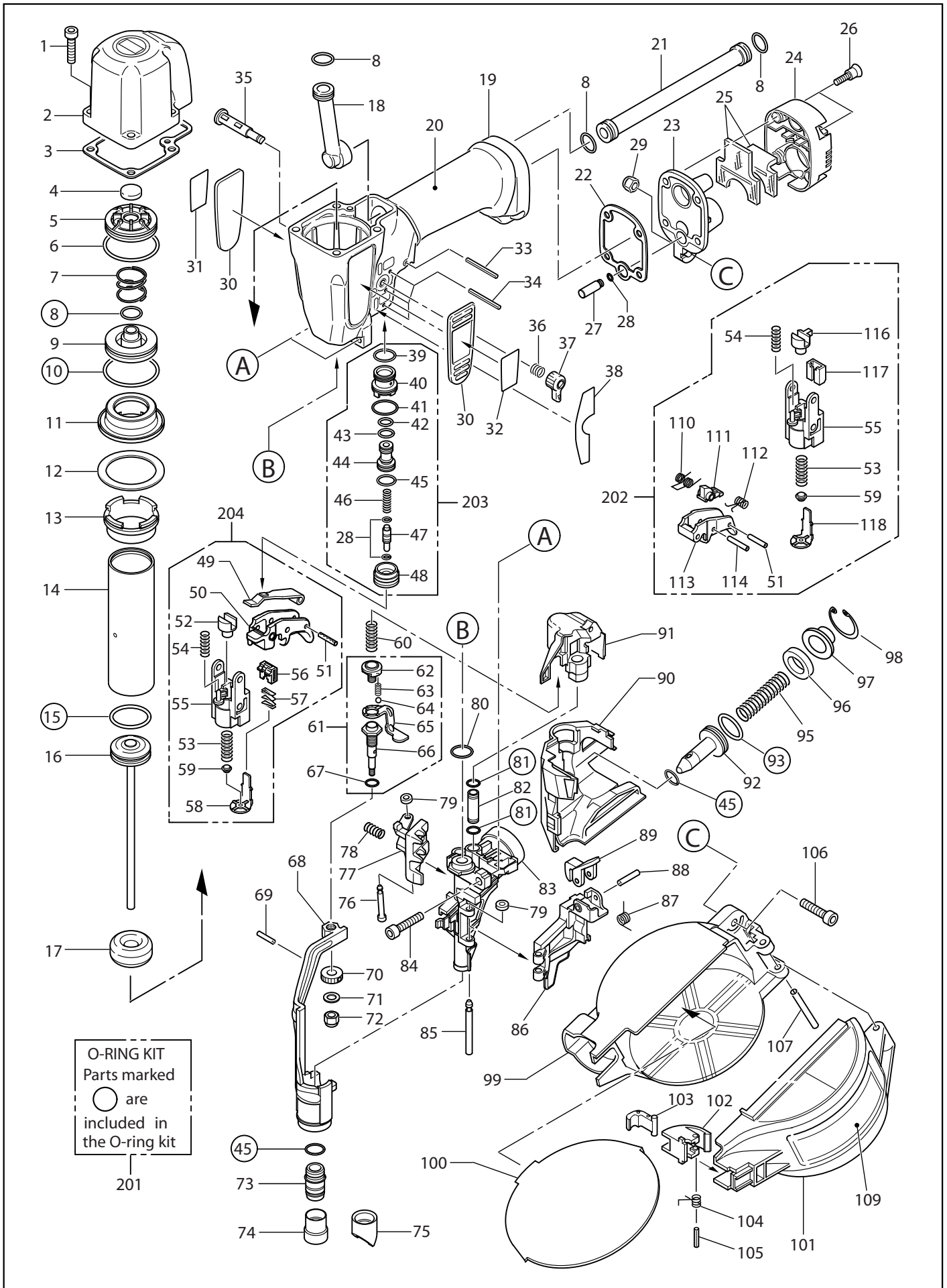


CN238(CE)

MINI COIL NAILER





Part NO	Part Code	Description
1	BB40401	BOLT 5 X 22
2	TA70052	CYLINDER CAP UNIT
3	TA17128	CYLINDER CAP SEAL
4	TA15144	EXHAUST SEAL
5	TA16079	HEAD VALVE GUIDE
6	HH19107	O-RING A 2.4X26.8
7	KK23723	COMPRESSION SPRING 3723
8	HH11132	O-RING 1AP10A CN65072
9	TA16139	HEAD VALVE PISTON
10	HH19102	O-RING 1A 2.4X31.8 T29011(REPLACES TA15265)
11	TA17078	CYLINDER SEAL
12	TA17170	CYLINDER WASHER
13	TA17132	CHECK VALVE
14	TA17052	CYLINDER
15	HH19901	O-RING 3.5X21.7
16	CN70144	MAIN PISTON UNIT
17	TA17149	BUMPER
18	TA17064	PIPE A
19	CN81090	FRAME UNIT
20	TA16401	GRIP COVER
21	TA17152	PIPE B
22	TA17148	END CAP SEAL
23	TA17147	TA17080 REPLACED END CAP
24	TA17153	EXHAUST COVER
25	TA17154	EXHAUST FILTER

26	TA17155	SCREW 4X13
27	TA16368	BLOCK B
28	HH11901	O-RING 1.4 X 2.5 CN65020
29	CC00401	ELASTIC STOP NUT M5
30	TA16123	PROTECTOR
31	TA16125	WARNING LABEL (FRAME)
32	CN36260	NAME LABEL (CN-238)
33	FF21279	PIN 3X26
34	FF21254	PIN 3 X 28 N10038
35	CN35075	TRIGGER LOCK LEVER
36	KK23507	SPRING 3507
37	CN35074	TRIGGER LOCK DIAL
38	TA17321	LABEL, TRIGGER LOCK
39	HH19720	SPECIAL O-RING 1A 1.5X11.5
40	TA16092	TRIGGER VALVE HOUSING
41	HH19721	SPECIAL O-RING 1A 1.5X13.6
42	HH11119	O-RING AP6 N10027
43	HH11209	O-RING 1BP7 N10028
44	TA16091	PILOT VALVE
45	HH11113	O-RING AP9 N5528
46	KK23666	COMPRESSION SPRING 3666
47	TA16090	TRIGGER VALVE STEM
48	TA16089	TRIGGER VALVE CAP
49	TA17137	CONTACT LEVER
50	TA17136	TRIGGER
51	FF22412	ROLL PIN 3X12
52	HN10358	ARM GUIDE PIN
53	KK23678	COMPRESSION SPRING 3678
54	KK23282	COM. SPRING 3282
55	CN36243	ARM GUIDE

56	CN34800	LEVER
57	CN34500	SPRING, LEVER
58	CN36244	CONTACT ARM A
59	CN35004	CONTACT BUMPER
60	KK23653	COMP. SPRING 3653
61	CN81130	ADJUST BOLT ASSY
62	CN36270	ADJUST BOLT B
63	KK23496	COMPRESSION SPRING 3496
64	LL71104	SPACER 2.5
65	CN36271	ADJUST ARM
66	CN36258	ADJUST BOLT A
67	HH12904	O-RING A 1X6.2 N5536
68	CN70145	CONTACT ARM B UNIT
69	FF21212	ROLL PIN 2.5X16 N5602
70	CN36257	ADJUST DIAL
71	EE33119	WASHER 4X8 (BLAC)
72	CC49308	HEX. NUT M4
73	CN36247	CONTACT NOSE
74	CN36265	CONTACT TOP A
75	CN81089	CONTACT TOP B ASSY
76	FF41838	PIN 1838
77	CN36250	FEED PAWL
78	KK23626	COMPRESSION SPRING 3626
79	EE39602	WASHER 7
80	HH11124	O-RING AP10 T29045(FORMER HH90124 & TA1
81	HH19722	O-RING A1.5X5
82	HN10341	PIPE
83	CN36249	NOSE
84	BB40404	HEX. BOLT 5X16 N10016
85	FF31286	PIN 1286

86	CN36248	DOOR
87	KK33261	TORSION SPRING 3261 (REPLACES KK33169)
88	FF21229	W.S.PIN 3X20
89	CN33679	DOOR LUTCH
90	CN36259	ARM COVER
91	CN36256	ADJUST SPACER
92	CN36252	FEED PISTON
93	HH11107	O-RING AP18
95	KK23285	SPRING 3285
96	CN33607	FEED PISTON STOP
97	CN31954	SPRING COLLAR
98	JJ22408	C-RING 24
99	CN36253	MAGAZINE
100	CN36255	NAIL SUPPORT
101	CN36254	MAGAZINE CAP
102	CN35198	LATCH COVER
103	CN35199	MAGAZINE LATCH
104	KK33254	TORSION SPRING 3254
105	FF21234	W.S. PIN 3 X 12 CN65055
106	BB40405	BOLT 5X25
107	FF22416	SPRING PIN 4X28
109	CN36261	WARNING LABEL
110	KK33247	SPRING 3247
111	TA16138	S.T. LEVER
112	KK33252	TORSION SPRING 3252
113	CN36293	TRIGGER
114	FF22402	SPRING PIN 3X16 (LIGHT LOAD)
116	CN36292	ARM GUIDE PIN
117	HN10402	CONTACT ARM A GUIDE
118	CN36291	CONTACT ARM A

201	CN81121	O-RING KIT CN238
202	CN81128	ST KIT
203	TA81048	TRIGGER VALVE KIT
204	CN81133	ARM GUIDE KIT